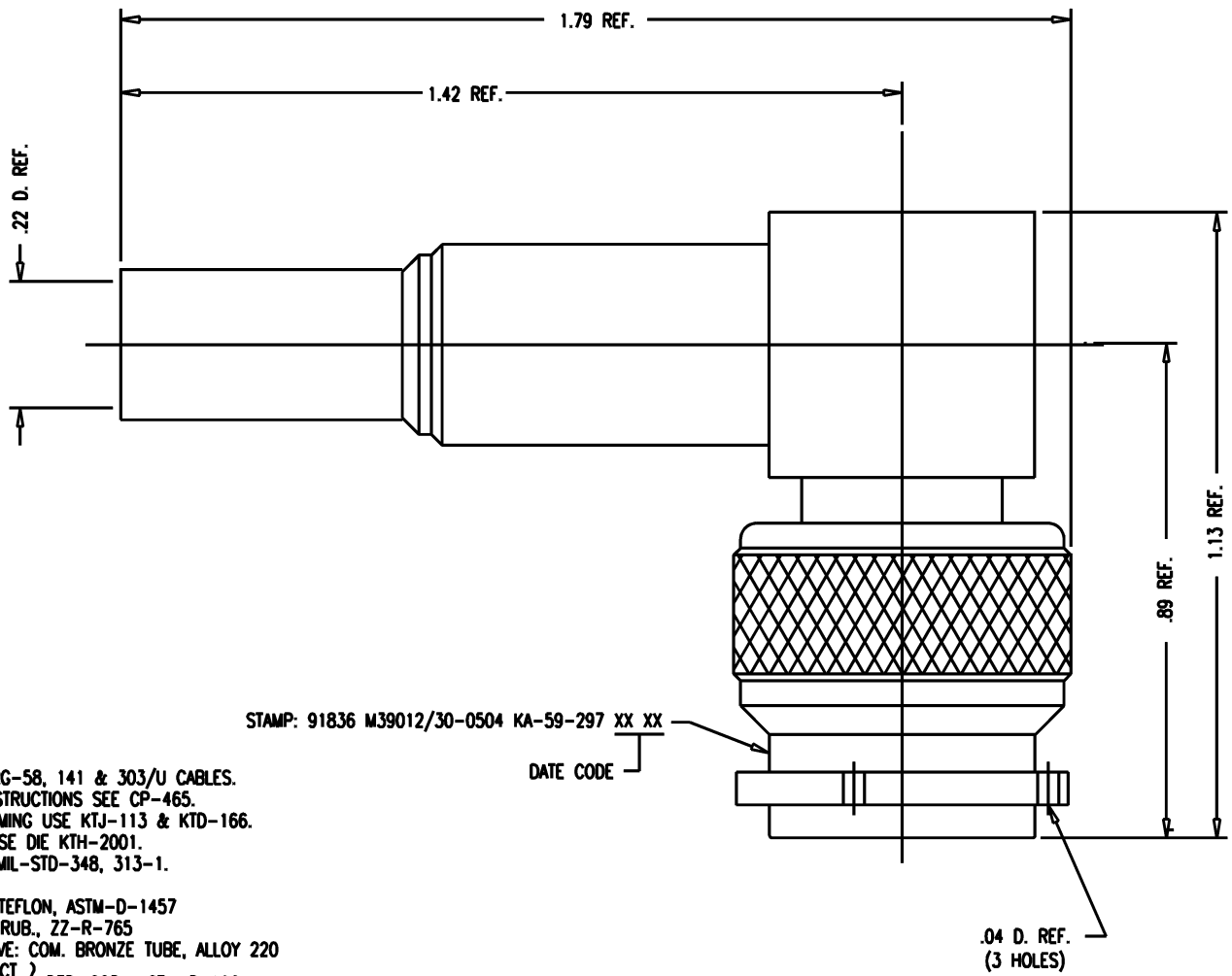


DASH NO.	M CODE	MADE FROM
----------	--------	-----------

GSD

M39012/30-0504



STAMP: 91836 M39012/30-0504 KA-59-297 XX XX

DATE CODE

NOTES:

- FOR USE WITH RG-58, 141 & 303/U CABLES.
- FOR CABLING INSTRUCTIONS SEE CP-465.
- FOR CABLE TRIMMING USE KTJ-113 & KTD-166.
- FOR CRIMPING USE DIE KTH-2001.
- INTERFACE PER MIL-STD-348, 313-1.
- MATERIALS:
 - INSULATORS: TEFLON, ASTM-D-1457
 - GASKET: SIL. RUB., ZZ-R-765
 - K-GRIP SLEEVE: COM. BRONZE TUBE, ALLOY 220
 - OUTER CONTACT } BER. COP., ASTM-B-196
 - CRIMP CONTACT }
 - C-RING: PHOS. BRONZE, QQ-B-750
 - ALL OTHER PARTS: BRASS, ASTM-B16
- FINISHES:
 - CENTER CONTACTS: HARD GOLD PLT. PER MIL-G-45204
 - ALL OTHER METAL PARTS: SILVER PLT. PER QQ-S-365
- ELECTRICAL CHARACTERISTICS:
 - NOMINAL IMPEDANCE: 50 OHMS
 - VOLTAGE RATING: 500 VRMS
 - FREQUENCY RANGE: DC TO 11 GHz

REVISIONS

ISSUE	CHANGES
6	CN 34058 C REDRAWN JCA 09/02/92
7	CN 34481 C JCA 05/24/93
8	CN 38244 C BDH 03/12/01

JCA3083

SCALE 4:1

APPROX SURFACE AREA

KA-59-297

USED ON

REF:

PLUG, ANGLE, TNC

DRAWN	JCA	DATE	09/03/92
-------	-----	------	----------

DESIGN	LI	DATE	09/03/92
--------	----	------	----------

APPR.		DATE	
-------	--	------	--

KINGS
ELECTRONICS CO., INC.
ROCK HILL, SOUTH CAROLINA 29730

M39012/30-0504

GSD